

INSTALLATION GUIDE

SHOWER DOOR STYLES -
DESIGNED TO FIT YOUR SPACE



SLIDER DOOR



OFFSET QUADRANT
(RIGHT HAND ILLUSTRATED)



QUADRANT



CORNER ENTRY



PIVOT DOOR



BI-FOLD DOOR

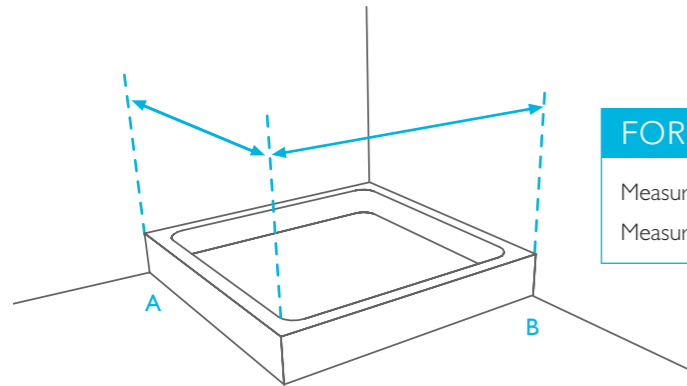
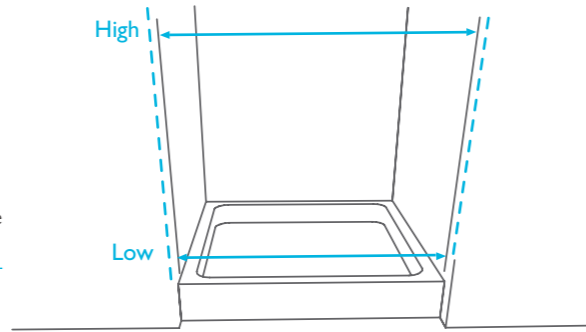
MEASURING FOR YOUR SHOWER DOOR

Note: Your measurements should be taken after tray installation and tiling. The space left after tiling will determine the shower door size required.

FOR A RECESS

Measurement at low point _____
 Measurement at high point _____

*Two measures relevant for uneven walls to ensure shower door caters for adjustment width needed.



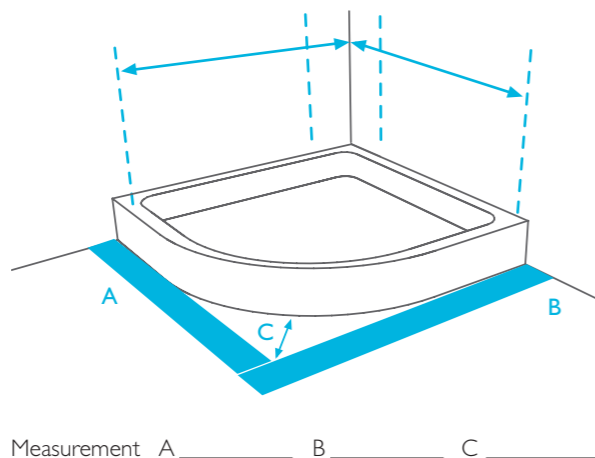
FOR A CORNER

Measure to acute edge of shower tray
 Measurement A _____ B _____

FOR A QUADRANT

RADIUS GUIDE	
DISTANCE C (mm)	RADIUS (mm)
186	450
197	475
207	500
228	525
249	550
218	600

Timbers placed at right angles to determine C



INFORMATION

LIFETIME GUARANTEE

Flair Shower doors and Wetroom screens are covered by a lifetime guarantee against manufacturer defect. This guarantee is valid on the condition that goods are installed and maintained in accordance with our instructions and best practice.

Non glass and detachable parts such as rollers, seals etc. are subject to normal wear and tear during usage and are under guarantee for 12 months from time of purchase.

10 YEAR GUARANTEE

Flair Bath Screens are covered by a 10 year guarantee against manufacturer defect. This guarantee is valid on the condition that screens have been installed and maintained in accordance with our instructions and best practice.

Non glass and spare parts such as rollers, seals etc. are subject to normal wear and tear during usage and are therefore under guarantee for 12 months from time of purchase.

If a Flair shower enclosure is defective in materials or manufacture, the consumer should contact the sales office on +353 42 966 8000 as soon as the defect is discovered.

Please note: Proof of purchase is necessary to validate your guarantee so retain purchase receipt for your Flair product.

INSTALLATION

Full installation instructions are provided with each Flair product to ensure correct installation. Shower Doors, Wetroom Screens and Side Panels are adjustable between the dimensions stated. All dimensions are approximate. All Flair products are reversible unless otherwise stated.

GLASS TREATMENT SYSTEMS

Flair Shower doors, wetroom panels and bath screens are supplied with a special glass coating designed to reduce limescale build up and make cleaning the glass easier:



This special glass coating guards against limescale and the grime of everyday showering. It makes the glass easier to clean without the need for harsh abrasives and cleaners. Clearshield glass coating is available across the Namara range.

CLEANEASY



Cleaneasy glass coating is a standard feature on all Flair shower doors, wetroom screens and the FBS bath screen range. This easy to clean glass coating is applied to the glass surface and ensures that soap deposits and lime scale are easily cleaned off the glass.

QUALITY GUARANTEE

All Flair products are CE approved and manufactured in accordance with ISO 9001: 2000 Quality Assurance systems. All glass is toughened safety glass and produced to EN12150. Flair products are performance tested to EN14428, ensuring the highest industry criteria is met.

MADE TO MEASURE

Flairs Made to Measure facility can now cater for bespoke shower door, wetroom panel and bath screen requests. If you have a specific size requirement for your shower space, just contact us on madetomeasure@flairshowers.com / +353 42 966 8000.

AFTERSALES & SPARE PARTS SERVICE

Flair is 100% committed to customer service excellence. We carry a full range of spare parts for each of our product ranges and have dedicated aftersales representatives to deal with any issues you may have. If you would like to talk to our customer aftercare team, please contact us on +353 42 966 8000 or sales@flairshowers.com.

CONDITIONS OF SALE

Unless otherwise stated, all price quotations are subject to acceptance within 30 days of date of issue. Other than in the case of faulty goods/ incorrect despatch, Flair will not accept the return of any product.

AS PART OF OUR CONTINUING POLICY OF PRODUCT IMPROVEMENT, WE RESERVE THE RIGHT TO AMEND SPECIFICATIONS, COLOURS AND PRICES WITHOUT PRIOR NOTICE.

*Errors and Omissions Exempt.