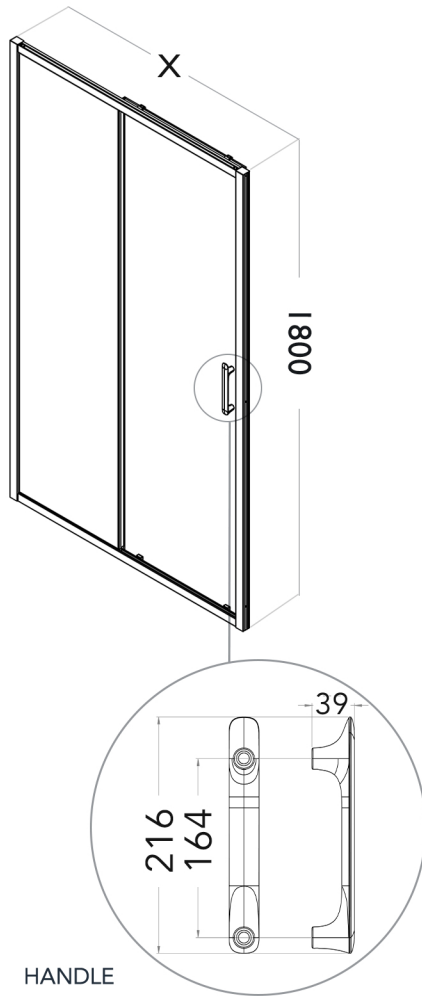


SLIDER DOOR

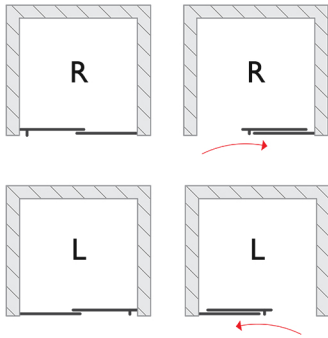
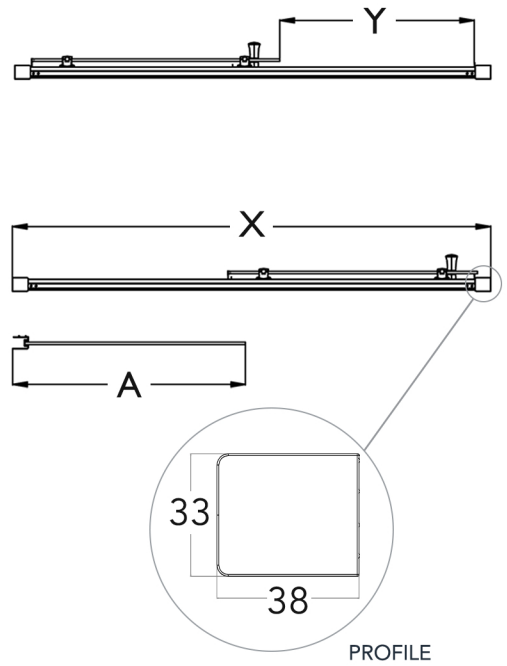
EN 14428:2015+A1:2018 (shower enclosures)
EN 12150-1:2013 (glass in building)
EN ISO7599 (anodizing of aluminium and its alloys)
6mm Toughened Safety Glass
25mm Profile Adjustment
1800mm Height

ClearVue Glass Coating
Reversible
Chrome Plated Handle
Ultra Clear PVC Seals
Silent Wheel Roller Mechanism
Press Fit Seal Design

Chrome Plated ABS Cover Caps
Seamless Interior Cover Strips
Quick Release Double Wheel Rollers
25mm Wall Profile Extension Available
Shower Tray or Wetroom Installation
20 Year Guarantee Against Manufacturing Defects*



(MEASUREMENTS IN MM)



SPECIFICATIONS

PRODUCT SIZE	ADJUSTMENT X (min - max)	DOOR ACCESS Y	FIXED PANEL A	PRODUCT WEIGHT	PRODUCT CODE SILVER
1000mm	950 - 1000mm	370mm	430mm	32.00kg	ILII80SAI00SC
1200mm	1150 - 1200mm	470mm	530mm	43.00kg	ILII80SAI20SC
1400mm	1350 - 1400mm	570mm	630mm	46.00kg	ILII80SAI40SC

+353 42 966 8000 | flairshowers.com | sales@flairshowers.com

All data presented may be subjected to change without prior notice. Flair Showers does the best it can to provide accurate information. Flair Showers unfortunately cannot guarantee this, and accept no liability for any information / advice given.

* Excludes perishable items such as rollers, seals, hinges, etc.

