

INLINE PANEL

To be paired with VERVE BIFOLD DOOR, VERVE PIVOT DOOR

EN 14428:2015+A1:2018 (shower enclosures)

EN 12150-1:2013 (glass in building)

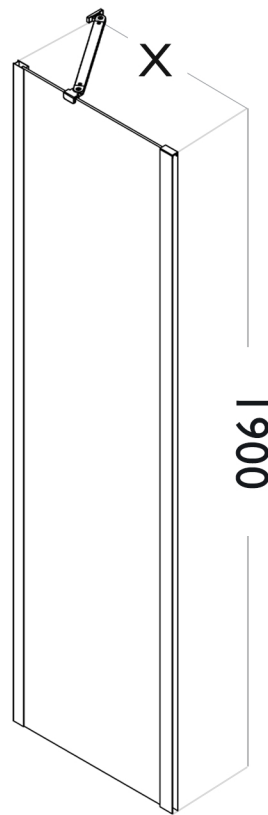
6mm Toughened Safety Glass

1900mm Height

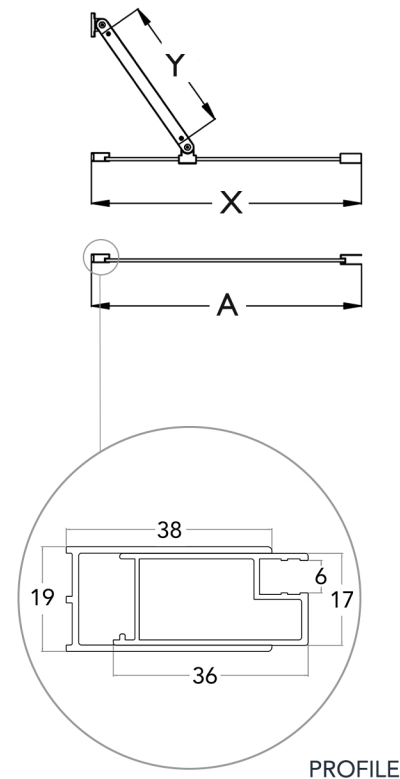
ClearVue Glass Coating

20 Year Guarantee Against Manufacturing Defects*

25mm Adjustment



(MEASUREMENTS IN MM)



PROFILE

SPECIFICATIONS

PRODUCT SIZE	DOOR LENGTH X	STABILISING BAR Y	FIXED GLASS A	PRODUCT WEIGHT	PRODUCT CODE SILVER
Inline Panel 200mm	235mm	250mm	235mm	8.00kg	VIL20SC
Inline Panel 300mm	335mm	350mm	335mm	11.00kg	VIL30SC
Inline Panel 400mm	435mm	350mm	435mm	14.00kg	VIL40SC
Inline Panel 500mm	535mm	450mm	535mm	18.00kg	VIL50SC

+353 42 966 8000 | flairshowers.com | sales@flairshowers.com

All data presented may be subjected to change without prior notice. Flair Showers does the best it can to provide accurate information. Flair Showers unfortunately cannot guarantee this, and accept no liability for any information / advice given.

* Excludes perishable items such as rollers, seals, hinges, etc.

