

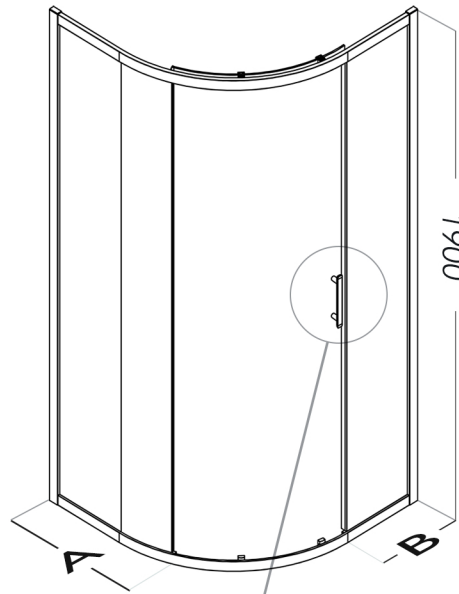
ONE DOOR QUADRANT



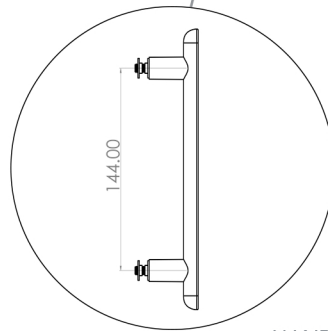
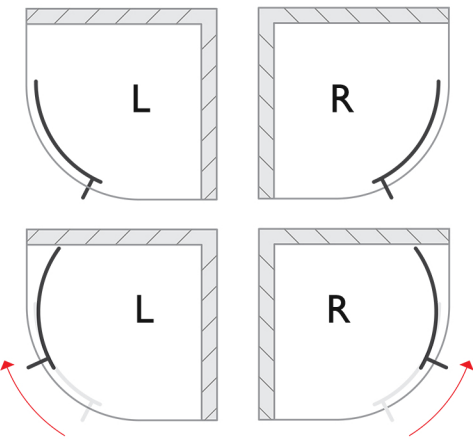
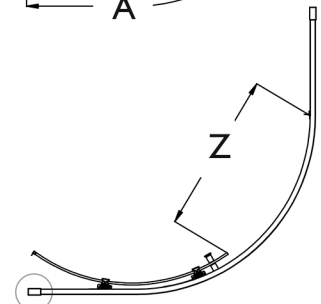
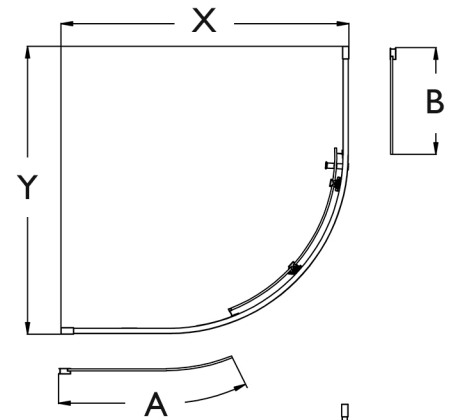
EN 14428:2015+A1:2018 (shower enclosures)
EN 12150-1:2013 (glass in building)
EN ISO7599 (anodizing of aluminium and its alloys)
25mm Profile Adjustment
6mm Toughened Safety Glass

1900mm Height
Solid Chrome Handle
Ultra Slim Chrome Plated Cover Caps
ClearVue Glass Coating

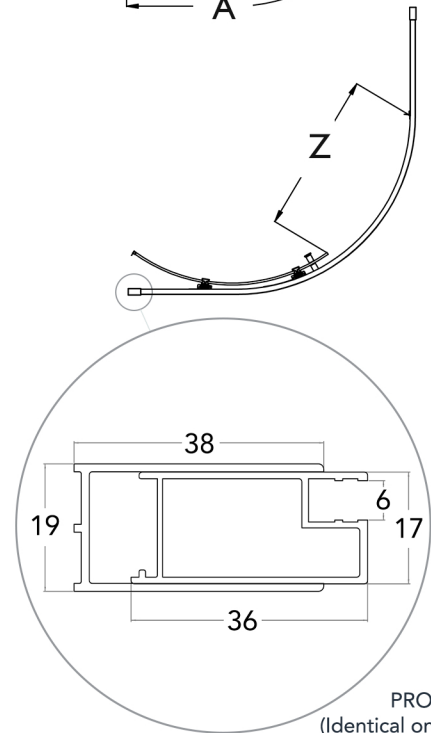
Reversible
Quick Release Chrome Double Wheel Rollers
20 Year Guarantee Against Manufacturing Defects*



(MEASUREMENTS IN MM)



HANDLE



PROFILE
(Identical on both sides)

SPECIFICATIONS

PRODUCT SIZE	ADJUSTMENT X = Y (min - max)	DOOR ACCESS Z	GLASS PANEL		PRODUCT WEIGHT	PRODUCT CODE	
			A	B		SILVER	BLACK
800mm	770 - 795mm	435mm	480mm	222mm	41.50kg	VOCQ80SC	VOCQ80BC
900mm	870 - 895mm	490mm	530mm	322mm	47.00kg	VOCQ90SC	VOCQ90BC
1000mm	970 - 995mm	490mm	630mm	422mm	53.50kg	VOCQ100SC	N/A

+353 42 966 8000 | flairshowers.com | sales@flairshowers.com

All data presented may be subjected to change without prior notice. Flair Showers does the best it can to provide accurate information. Flair Showers unfortunately cannot guarantee this, and accept no liability for any information / advice given.

* Excludes perishable items such as rollers, seals, hinges, etc.

