

PIVOT DOOR



EN 14428:2015+A1:2018 (shower enclosures)

EN 12150-1:2013 (glass in building)

EN ISO7599 (anodizing of aluminium and its alloys)

6mm Toughened Safety Glass

1900mm Height

Solid Chrome Handle

50mm Profile Adjustment

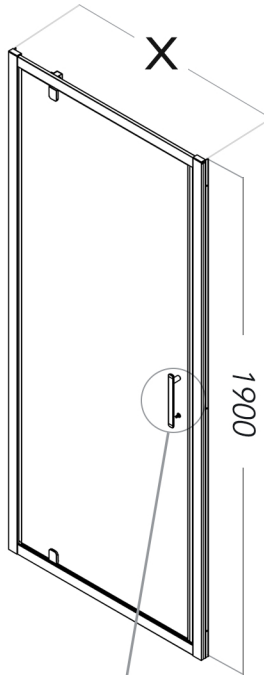
Positive Magnetic Close Action

ClearVue Glass Coating

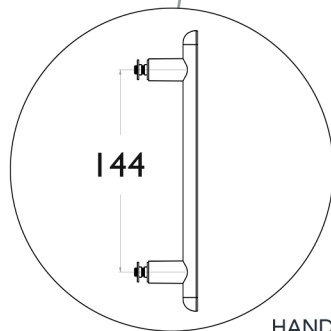
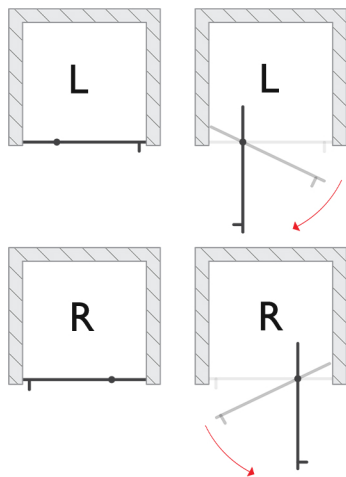
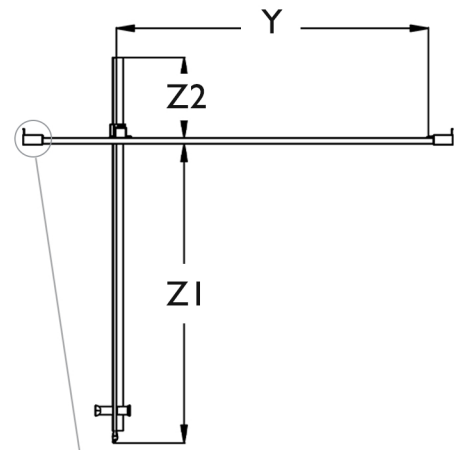
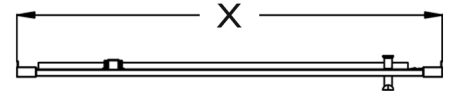
Quality Engineered Hinge

Reversible

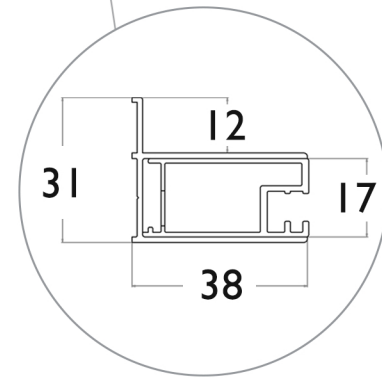
20 Year Guarantee Against Manufacturing Defects*



(MEASUREMENTS IN MM)



HANDLE



PROFILE
(identical on both ends)

SPECIFICATIONS

| PRODUCT SIZE | ADJUSTMENT X (min - max) | DOOR ACCESS Y | EXTRUSION Z1 | INTRUSION Z2 | PRODUCT WEIGHT | PRODUCT CODE | |
|--------------|--------------------------|---------------|--------------|--------------|----------------|--------------|----------|
| | | | | | | SILVER | BLACK |
| 700mm | 650 - 700mm | 417mm | 392mm | 158mm | 22.00kg | VPD70SC | N/A |
| 760mm | 710 - 760mm | 477mm | 452mm | 158mm | 24.00kg | VPD76SC | N/A |
| 800mm | 750 - 800mm | 517mm | 492mm | 158mm | 25.00kg | VPD80SC | VPD80BC |
| 900mm | 850 - 900mm | 617mm | 592mm | 158mm | 28.50kg | VPD90SC | VPD90BC |
| 1000mm | 950 - 1000mm | 717mm | 692mm | 158mm | 32.00kg | VPD100SC | VPD100BC |

+353 42 966 8000 | flairshowers.com | sales@flairshowers.com

All data presented may be subjected to change without prior notice. Flair Showers does the best it can to provide accurate information. Flair Showers unfortunately cannot guarantee this, and accept no liability for any information / advice given.

* Excludes perishable items such as rollers, seals, hinges, etc.

