

## SIDE PANEL

To be paired with VERVE TRIPLE PANEL SLIDER, VERVE SLIDER DOOR, VERVE BIFOLD DOOR, VERVE PIVOT DOOR



EN 14428:2015+A1:2018 (shower enclosures)

EN 12150-1:2013 (glass in building)

6mm Toughened Safety Glass

1900mm Height

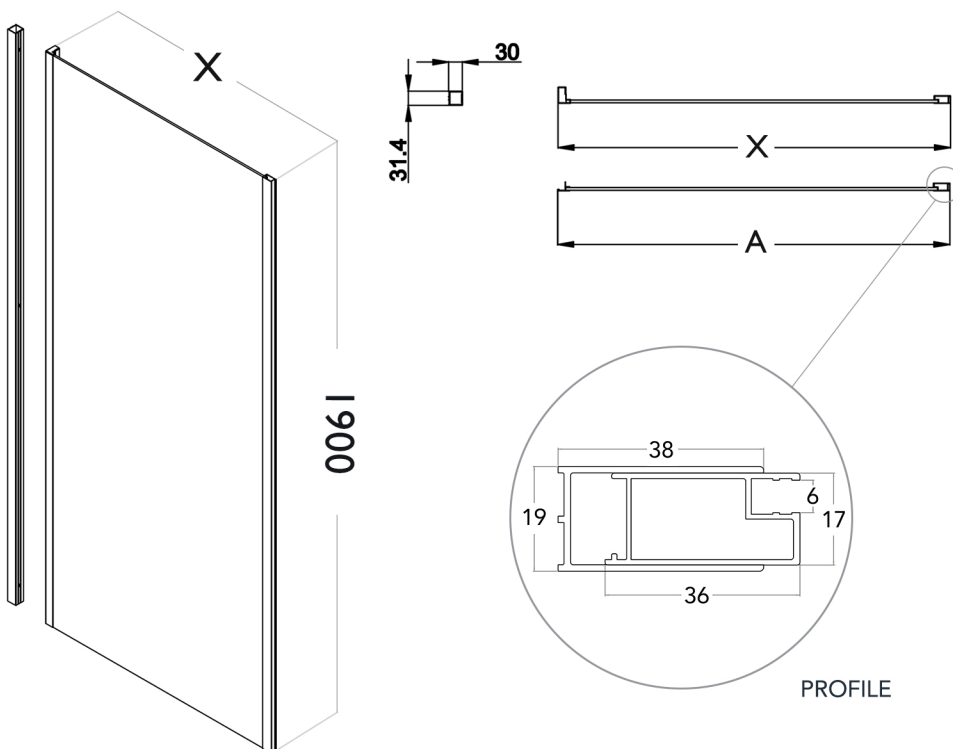
ClearVue Glass Coating

20 Year Guarantee Against Manufacturing Defects\*

25mm Adjustment

Reversible For Left and Right Hand Installation

(MEASUREMENTS IN MM)



## SPECIFICATIONS

PRODUCT SIZE	ADJUSTMENT X (min - max)	FIXED GLASS A	PRODUCT WEIGHT	PRODUCT CODE	
				SILVER	BLACK
700mm	670 - 695mm	667mm	20.00kg	VSP70SC	VSP70BC
760mm	730 - 755mm	727mm	22.00kg	VSP76SC	N/A
800mm	770 - 795mm	767mm	23.00kg	VSP80SC	VSP80BC
900mm	870 - 895mm	867mm	26.00kg	VSP90SC	VSP90BC
1000mm	970 - 995mm	967mm	29.00kg	VSP100SC	VSP100BC

### OTHER PRODUCTS (SOLD SEPARATELY)

30mm Verve Compensating Bar

VCB30SC

+353 42 966 8000 | [flairshowers.com](http://flairshowers.com) | [sales@flairshowers.com](mailto:sales@flairshowers.com)

All data presented may be subjected to change without prior notice. Flair Showers does the best it can to provide accurate information. Flair Showers unfortunately cannot guarantee this, and accept no liability for any information / advice given.

\* Excludes perishable items such as rollers, seals, hinges, etc.

