

## INLINE PANEL



EN 14428:2015+A1:2018 (shower enclosures)

EN 12150-1:2013 (glass in building)

EN ISO7599 (anodizing of aluminium and its alloys)

8mm Toughened Safety Glass

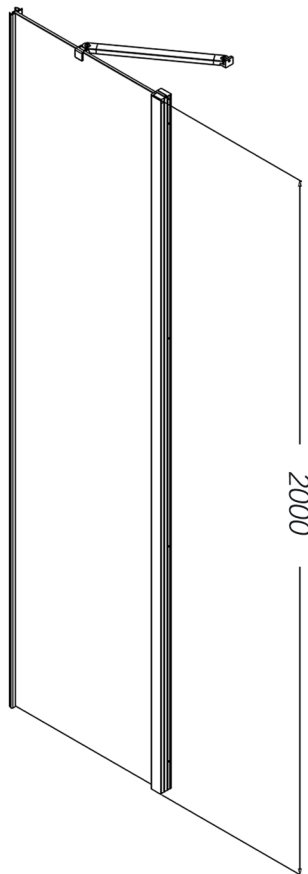
2000mm Height

ClearVue Glass Coating

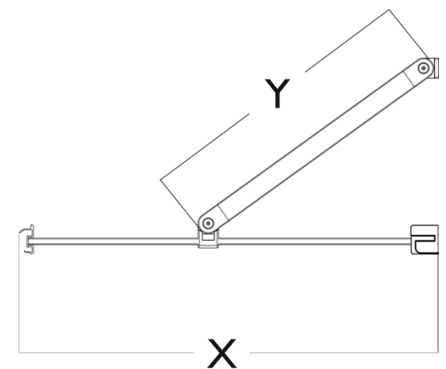
Ultra Slim Chrome Plated Cover Caps

Reversible

20 Year Guarantee Against Manufacturing Defects\*



(MEASUREMENTS IN MM)



## SPECIFICATIONS

PRODUCT DESCRIPTION	DIMENSION X	STABILIZING BAR Y	PRODUCT WEIGHT	PRODUCT CODE		
				SILVER	BLACK	BRUSHED BRASS
150 Inline Panel	162mm	200mm	11.00kg	ETOIL15SC	ETOIL15BC	N/A
200 Inline Panel	212mm	200mm	13.00kg	ETOIL20SC	ETOIL20BC	N/A
300 Inline Panel	312mm	300mm	17.00kg	ETOIL30SC	ETOIL30BC	ETOIL30BRBC
400 Inline Panel	412mm	350mm	22.00kg	ETOIL40SC	ETOIL40BC	ETOIL40BRBC
450 Inline Panel	462mm	350mm	24.00kg	ETOIL45SC	ETOIL45BC	N/A
500 Inline Panel	512mm	350mm	26.00kg	ETOIL50SC	ETOIL50BC	N/A

The inline panel will add to the product size of your door dimension. **For example, an ETO 1200mm hinge and inline door (adjustment 1150 - 1190mm) fitted with an ETO 200 inline panel = overall adjustment range of 1350mm to 1390mm (40mm adjustment).** This product is suitable to be fitted onto either side of an alcove product. Cannot be fitted with a side panel or corner quadrant doors.

+353 42 966 8000 | [flairshowers.com](http://flairshowers.com) | [sales@flairshowers.com](mailto:sales@flairshowers.com)

All data presented may be subjected to change without prior notice. Flair Showers does the best it can to provide accurate information. Flair Showers unfortunately cannot guarantee this, and accept no liability for any information / advice given.

\* Excludes perishable items such as rollers, seals, hinges, etc.

