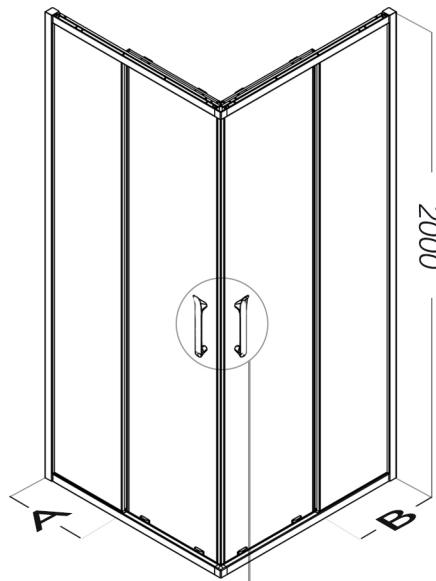


CORNER ENTRY

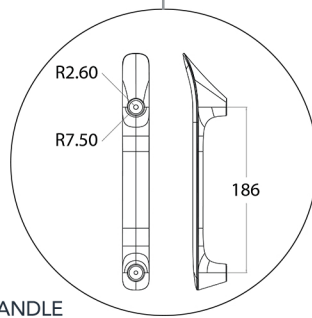
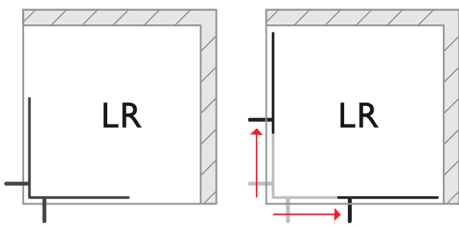
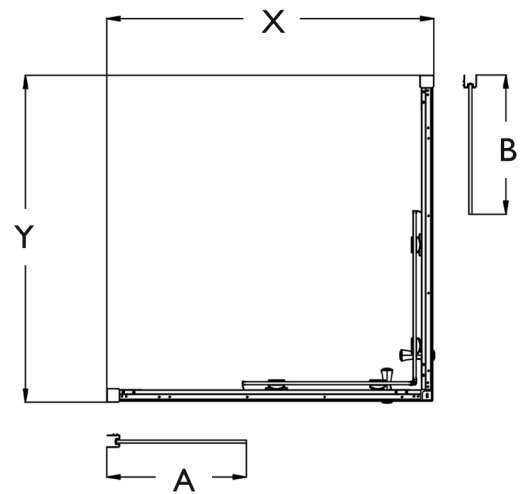
EN 14428:2015+A1:2018 (shower enclosures)
EN 12150-1:2013 (glass in building)
EN ISO7599 (anodizing of aluminium and its alloys)
8mm Toughened Safety Glass
20mm Profile Adjustment

2000mm Height
Shower Tray or Wetroom Application
ClearVue Glass Coating
Ultra Slim Chrome Plated Cover Caps
Magnetic Cushion Close Door System

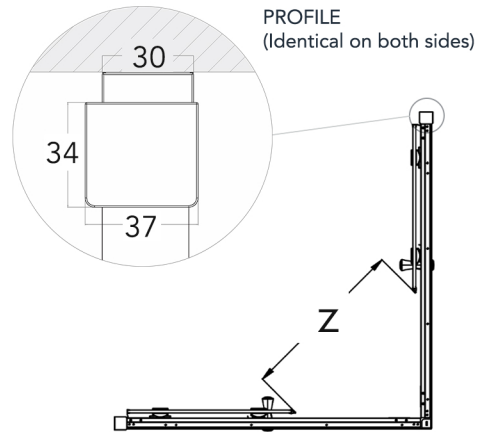
Seamless Interior Cover Strips
Reversible
Press Fit Seal Design
Ultra Clear Seals
Crafted Handle Design
20 Year Guarantee Against Manufacturing Defects*



(MEASUREMENTS IN MM)



HANDLE



SPECIFICATIONS

PRODUCT SIZE	ADJUSTMENT X = Y (min - max)	DOOR ACCESS Z	GLASS PANEL		PRODUCT WEIGHT	PRODUCT CODE SILVER
			A	B		
800mm	770 - 790mm	392mm	319mm	225mm	66.00kg	ETOCE80SC
900mm	870 - 890mm	462mm	379mm	225mm	75.00kg	ETOCE90SC

+353 42 966 8000 | flairshowers.com | sales@flairshowers.com

All data presented may be subjected to change without prior notice. Flair Showers does the best it can to provide accurate information. Flair Showers unfortunately cannot guarantee this, and accept no liability for any information / advice given.

* Excludes perishable items such as rollers, seals, hinges, etc.

