



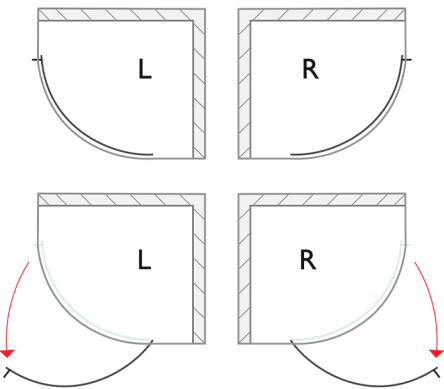
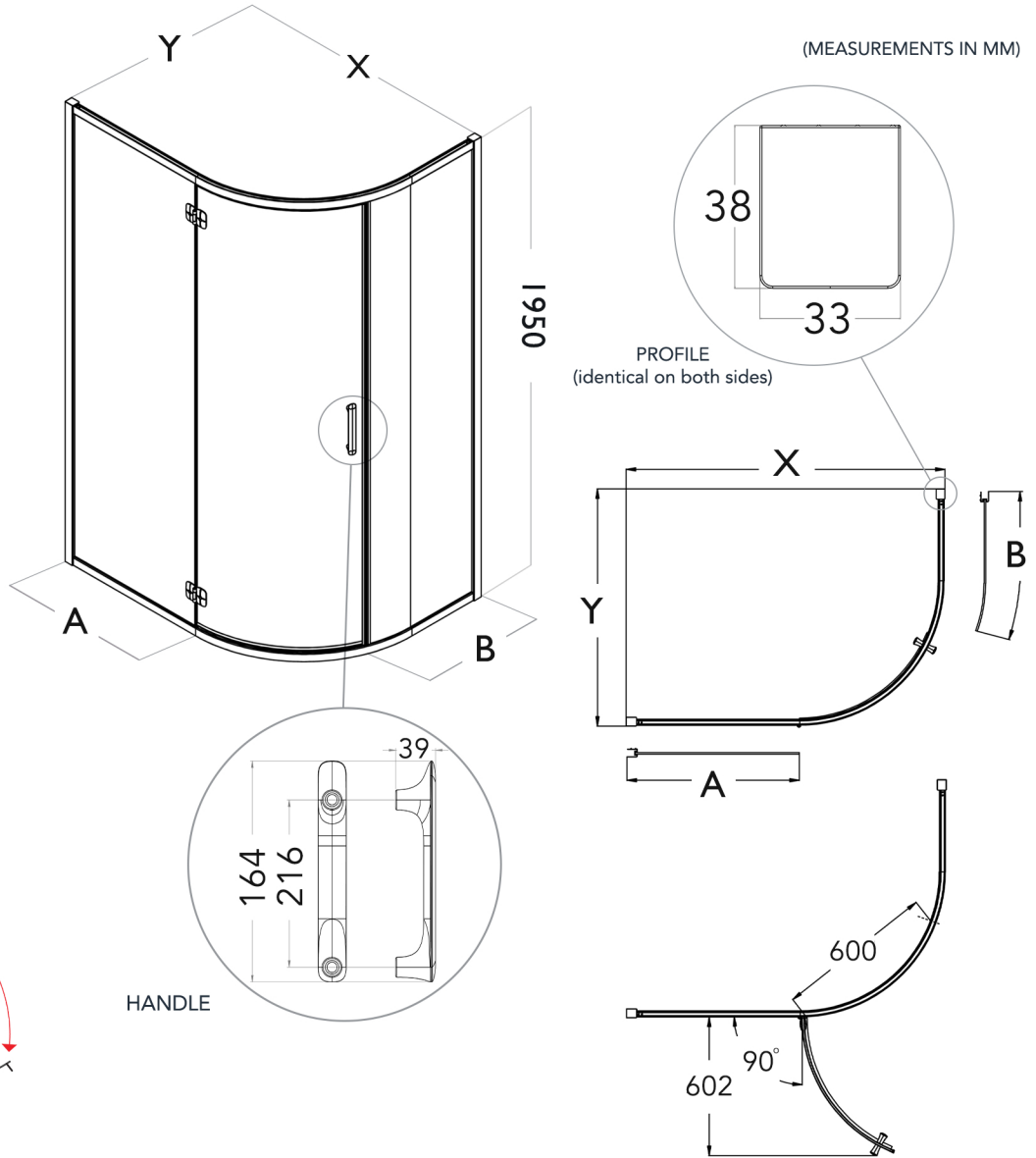
HINGED QUADRANT



EN 14428:2015+A1:2018 (shower enclosures)
 EN 12150-1:2013 (glass in building)
 EN ISO7599 (anodizing of aluminium and its alloys)
 6mm Toughened Safety Glass
 25mm Profile Adjustment

1950mm Height
 ClearVue Glass Coating
 Reversible
 Chrome Plated Handle
 Ultra Clear PVC Seals

Chrome Plated ABS Cover Caps
 Seamless Interior Cover Strips
 25mm Wall Profile Extension Available
 Shower Tray or Wetroom Installation
20 Year Guarantee Against Manufacturing Defects*



SPECIFICATIONS

PRODUCT SIZE	ADJUSTMENT		GLASS PANEL		EXTRUSION	ACCESS	PRODUCT WEIGHT	PRODUCT CODE		
	X (min - max)	Y (min - max)	A	B				SILVER	BRUSHED BRASS	MATTE BLACK
900mm	870 - 895mm	870 - 895mm	477mm	437mm	602mm	600mm	50.00kg	ILIHQ90SC	ILIHQ90BRBC	ILIHQ90SC

+353 42 966 8000 | flairshowers.com | sales@flairshowers.com

All data presented may be subjected to change without prior notice. Flair Showers does the best it can to provide accurate information. Flair Showers unfortunately cannot guarantee this, and accept no liability for any information / advice given.

* Excludes perishable items such as rollers, seals, hinges, etc.

