

TWO DOOR QUADRANT



EN 14428:2015+A1:2018 (shower enclosures)

EN 12150-1:2013 (glass in building)

EN ISO7599 (anodizing of aluminium and its alloys)

25mm Profile Adjustment

6mm Toughened Safety Glass

1900mm Height

Solid Chrome Handle

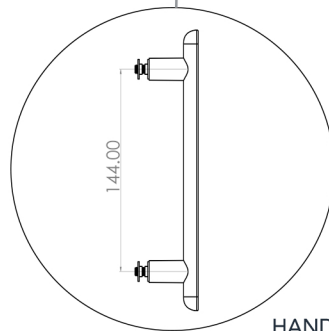
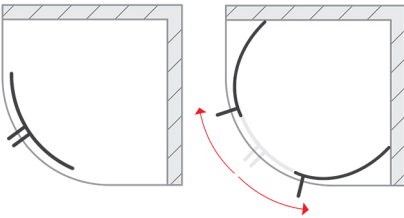
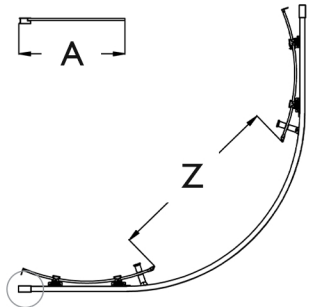
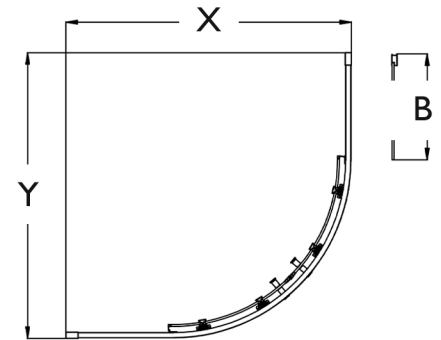
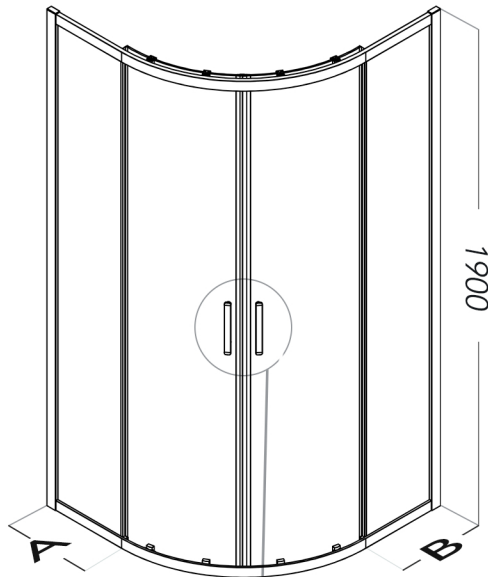
Ultra Slim Chrome Plated Cover Caps

ClearVue Glass Coating

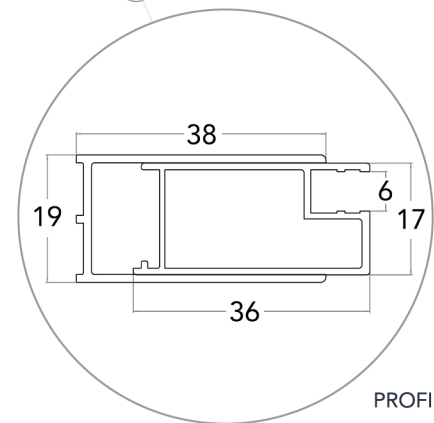
Reversible

Quick Release Chrome Double Wheel Rollers

20 Year Guarantee Against Manufacturing Defects*



HANDLE



PROFILE

SPECIFICATIONS

PRODUCT SIZE	ADJUSTMENT X = Y (min - max)	DOOR ACCESS Z	GLASS PANEL		PRODUCT WEIGHT	PRODUCT CODE SILVER
			A	B		
800mm	770 - 795mm	385mm	223mm	223mm	43.00kg	VCQ80SC
900mm	870 - 895mm	538mm	323mm	323mm	46.50kg	VCQ90SC

+353 42 966 8000 | flairshowers.com | sales@flairshowers.com

All data presented may be subjected to change without prior notice. Flair Showers does the best it can to provide accurate information. Flair Showers unfortunately cannot guarantee this, and accept no liability for any information / advice given.

* Excludes perishable items such as rollers, seals, hinges, etc.

