

## ONE DOOR SLIDING QUADRANT

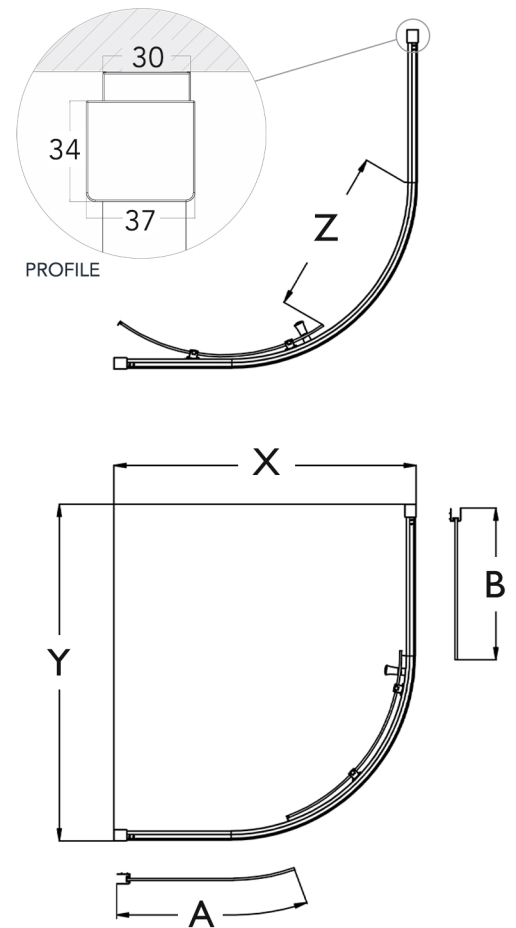
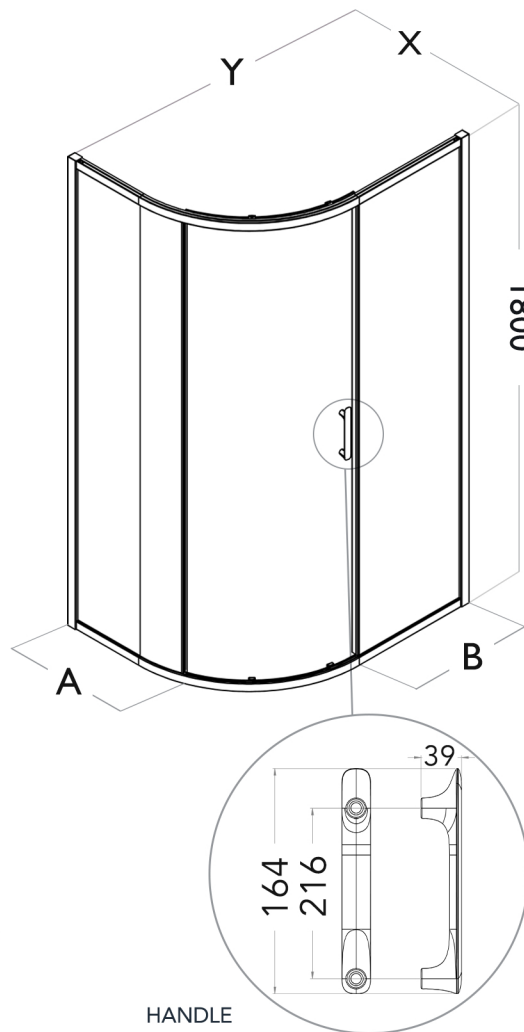
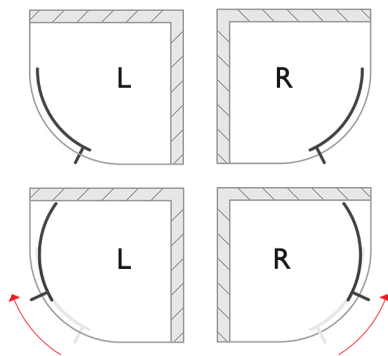
EN 14428:2015+A1:2018 (shower enclosures)  
EN 12150-1:2013 (glass in building)  
EN ISO7599 (anodizing of aluminium and its alloys)  
6mm Toughened Safety Glass  
25mm Profile Adjustment  
1800mm Height

ClearVue Glass Coating  
Reversible  
Chrome Plated Handle  
Ultra Clear PVC Seals  
Press Fit Seal Design  
Chrome Plated ABS Cover Caps

Seamless Interior Cover Strips  
25mm Wall Profile Extension Available  
Shower Tray or Wetroom Installation  
Silent Wheel Roller Mechanism  
Quick Release Double Wheel Rollers  
20 Year Guarantee Against Manufacturing Defects\*



(MEASUREMENTS IN MM)



## SPECIFICATIONS

PRODUCT SIZE	ADJUSTMENT		ACCESS Z	GLASS PANEL		PRODUCT WEIGHT	PRODUCT CODE SILVER
	X (min - max)	Y (min - max)		A	B		
800mm	770 - 795mm	770 - 795mm	436mm	517mm	337mm	48.00kg	ILI180COQ80SC
900mm	870 - 895mm	870 - 895mm	485mm	517mm	337mm	55.00kg	ILI180COQ90SC

+353 42 966 8000 | [flairshowers.com](http://flairshowers.com) | [sales@flairshowers.com](mailto:sales@flairshowers.com)

All data presented may be subjected to change without prior notice. Flair Showers does the best it can to provide accurate information. Flair Showers unfortunately cannot guarantee this, and accept no liability for any information / advice given.

\* Excludes perishable items such as rollers, seals, hinges, etc.

