

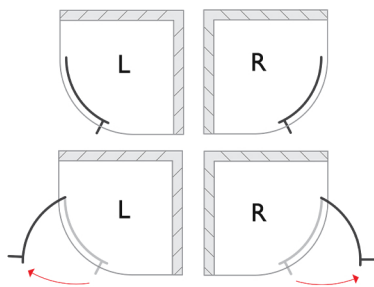
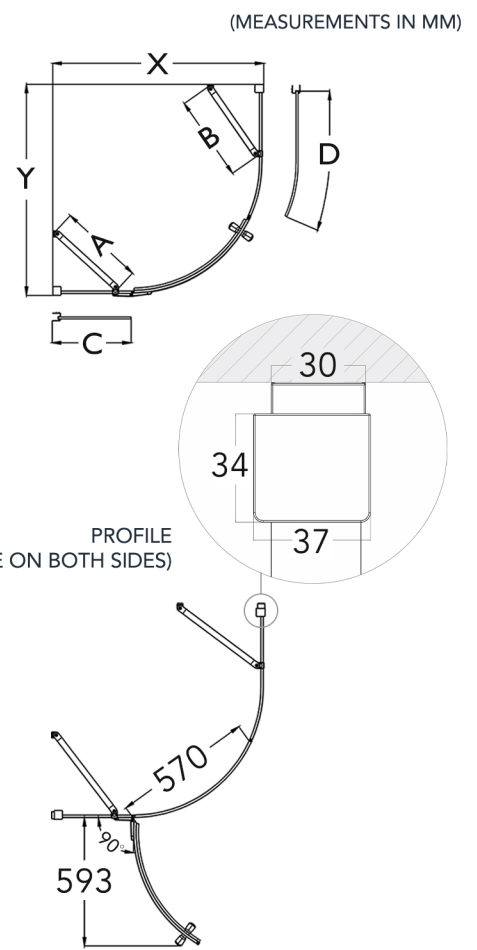
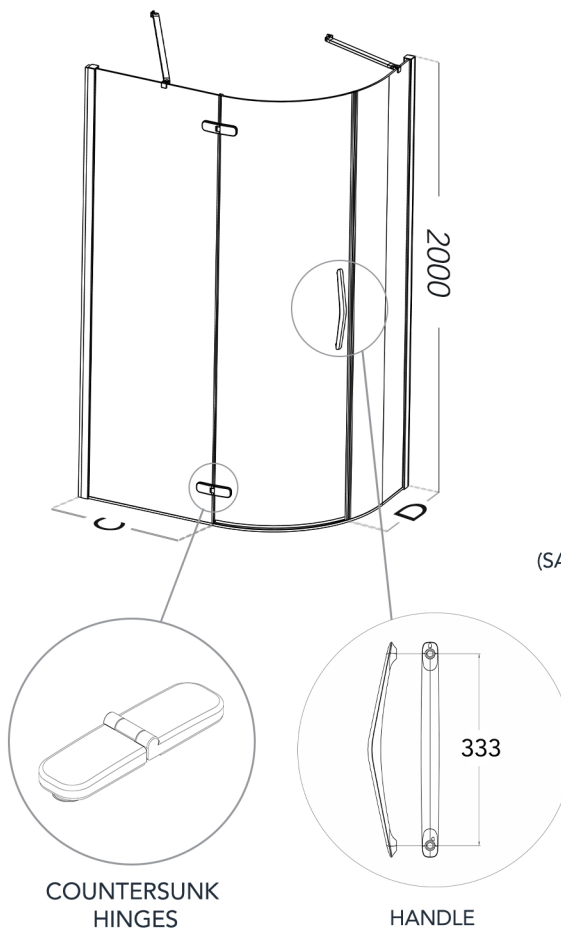
## HINGED QUADRANT DOOR



EN 14428:2015+A1:2018 (shower enclosures)  
EN 12150-1:2013 (glass in building)  
EN ISO7599 (anodizing of aluminium and its alloys)  
8mm Toughened Safety Glass  
20mm Profile Adjustment

2000mm Height  
Ultra Clear Seals  
10mm Ultra Low Bottom Rail  
Crafted Handle Design  
ClearVue Glass Coating

Seamless Interior Cover Strips  
Countersunk Interior Hinges  
Stainless Steel Angled Stabilizing Bar  
**20 Year Guarantee** Against Manufacturing Defects\*



## SPECIFICATIONS

PRODUCT SIZE	ADJUSTMENT		STABILIZING BAR		GLASS PANEL		DOOR ACCESS	PRODUCT WEIGHT	PRODUCT CODE	
	X (min - max)	Y (min - max)	A	B	C	D			SILVER	BLACK
900mm L	870 - 890mm	870 - 890mm	350mm	350mm	325mm	549mm	570mm	70.00kg	OROHQ90LSC	OROHQ90LBC
900mm R	870 - 890mm	870 - 890mm	350mm	350mm	325mm	549mm	570mm	70.00kg	OROHQ90RSC	OROHQ90RBC
1000mm L	970 - 990mm	970 - 990mm	450mm	450mm	425mm	649mm	570mm	79.50kg	OROHQ100LSC	N/A
1000mm R	970 - 990mm	970 - 990mm	450mm	450mm	425mm	649mm	570mm	79.50kg	OROHQ100RSC	N/A

+353 42 966 8000 | [flairshowers.com](http://flairshowers.com) | [sales@flairshowers.com](mailto:sales@flairshowers.com)

All data presented may be subjected to change without prior notice. Flair Showers does the best it can to provide accurate information. Flair Showers unfortunately cannot guarantee this, and accept no liability for any information / advice given.

\* Excludes perishable items such as rollers, seals, hinges, etc.

