

NEW

SLIMLINE CAPELLA **flair** TELESCOPIC

CURVED QUADRANT Shower Enclosure



Thank you for choosing a Flair product.

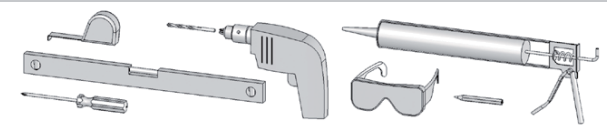
Flair Showers Ltd. is EN ISO 9001:2000 certified

This product is fully compliant with EN14428
(European Standard for Functional Requirements and
Test Methods for Shower Enclosures)

BEFORE YOU INSTALL YOUR CAPELLA SHOWER ENCLOSURE PLEASE READ ALL INSTRUCTIONS. FAILURE TO DO SO MAY LEAD TO INVALIDATION OF YOUR WARRANTY

- The shower tray **MUST** be fitted level, tiled in and sealed along its entire wall length.
- Glass door edges are vulnerable. Contact with hard surfaces may result in glass breakage.
- The shower enclosure should be sealed on the outside using silicone sealant.
- Check walls for electrical cabling or water pipes before drilling.

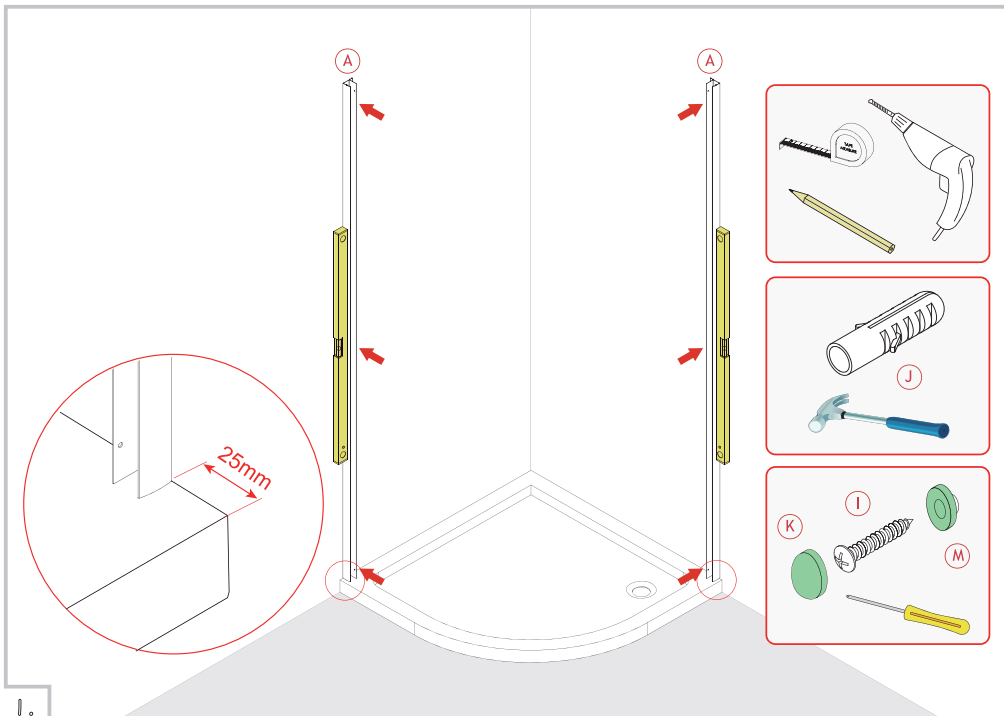
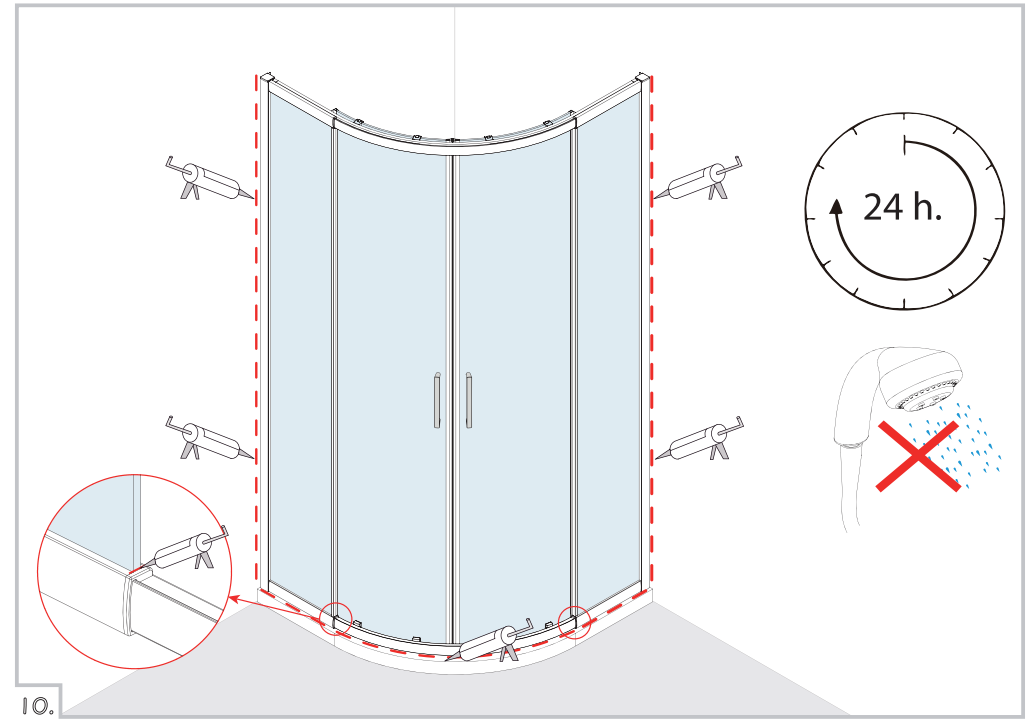
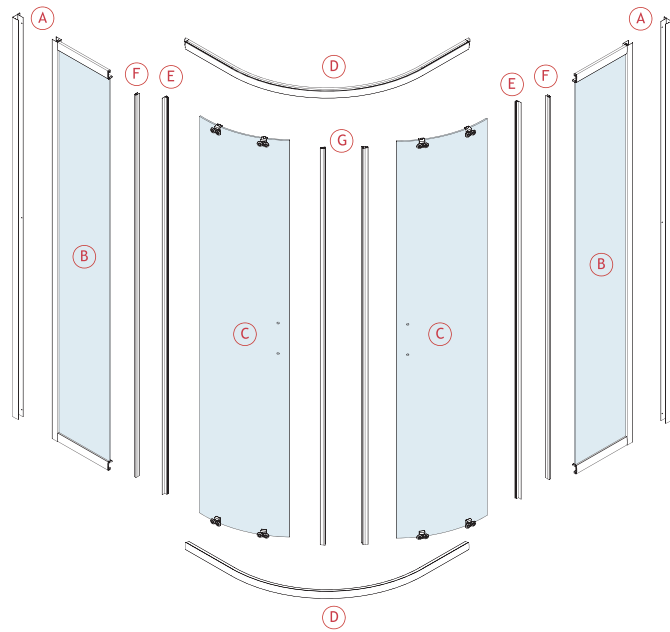
Tools required
to install your
shower
enclosure



Slimline Capella

Installation Instructions

ITEM		Quant.
(H)		2 Pc
(I)		6 Pc
(J)		6 Pc
(K)		12 Pc
(L)		6 Pc
(M)		12 Pc
(N)		4 Pc
(O)		1+1 Pc
(P)		2 Pc
(Q)		1+1 Pc
(R)		1 Pc



Flair Showers Ltd. Baillieborough, Co. Cavan, Ireland. Sales Office Direct Telephone: +353 42 9665294
 Where a shower enclosure has been installed contrary to these instructions Flair Showers Ltd cannot
 accept liability for any consequential loss or damage.
www.flairshowers.com



