

SLIMLINE CAPELLA

FLAIR PRO

Specification Sheet
12 / 09 / 2024 V.3

BIFOLD DOOR

EN 14428:2015+A1:2018 (shower enclosures)

EN 12150-1:2013 (glass in building)

6mm Toughened Safety Glass

100mm Product Adjustment

1950mm Height

25mm Wall Profile Extension Available

Patented Twist + Lock Adjustment

Innovative Silent Wheel Track System

CLEANEASY Coating

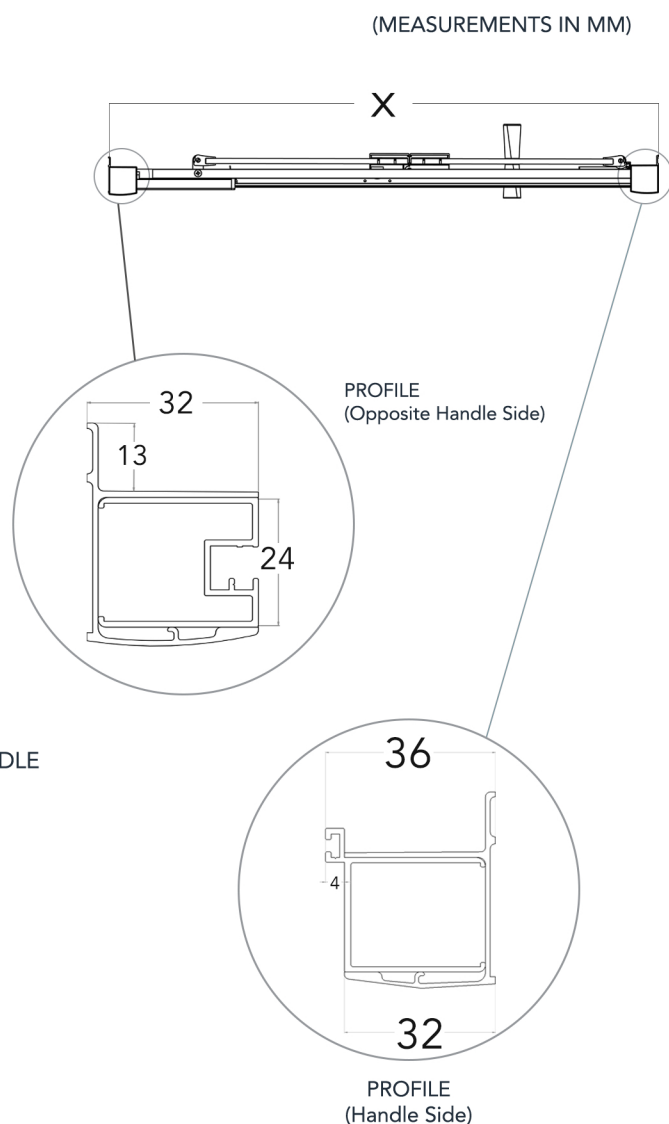
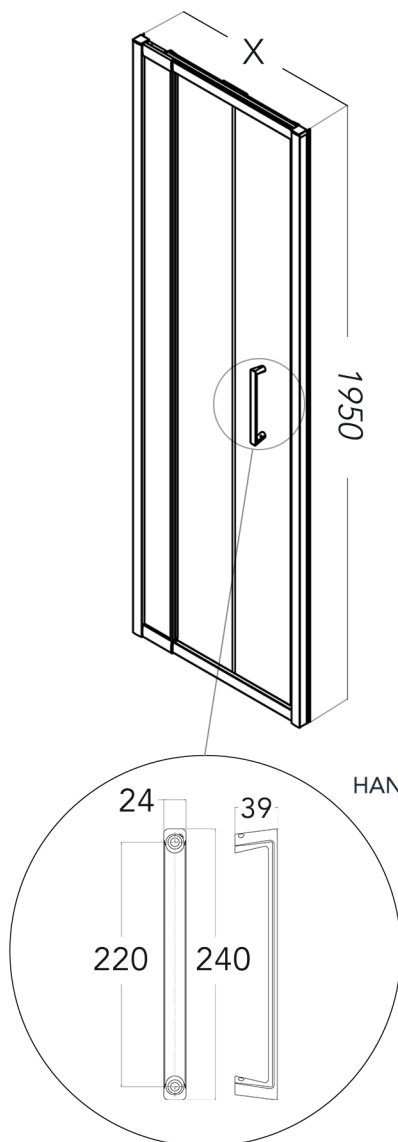
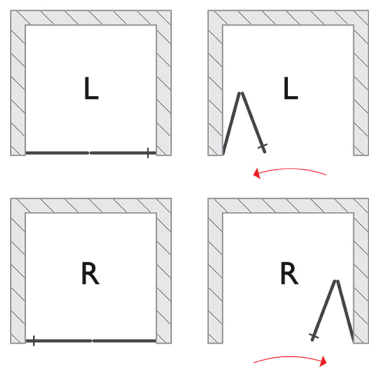
Reversible

Magnetic Closure

Sleek Chrome Plated Door Handles

Suitable Side Panel Installation

20 Year Guarantee Against Manufacturing Defects*



SPECIFICATIONS

PRODUCT SIZE	ADJUSTMENT X (min - max)	DOOR ACCESS	PRODUCT WEIGHT	PRODUCT CODE SILVER
800mm	730 - 800mm	428mm	31.00kg	STBF80SC
900mm	800 - 900mm	498mm	35.00kg	STBF90SC
1100mm	1000 - 1100mm	578mm	43.00kg	STBF110SC
1200mm	1100 - 1200mm	578mm	47.00kg	STBF120SC

+353 42 966 8000 | flairshowers.com | sales@flairshowers.com

All data presented may be subjected to change without prior notice. Flair Showers does the best it can to provide accurate information. Flair Showers unfortunately cannot guarantee this, and accept no liability for any information / advice given.

* Excludes perishable items such as rollers, seals, hinges, etc.

